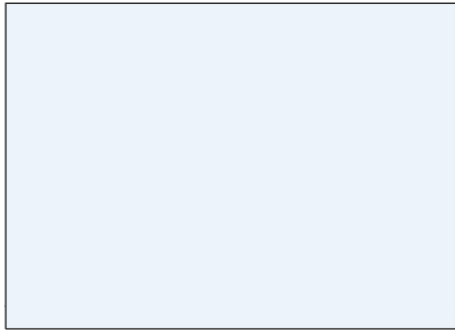


2

1

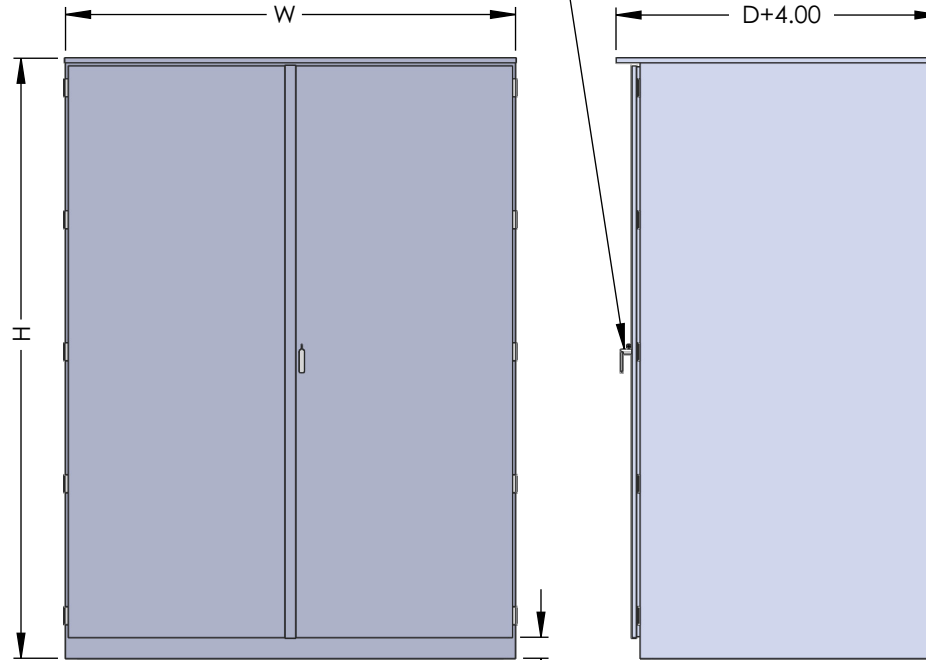
TOP VIEW



NOTES:

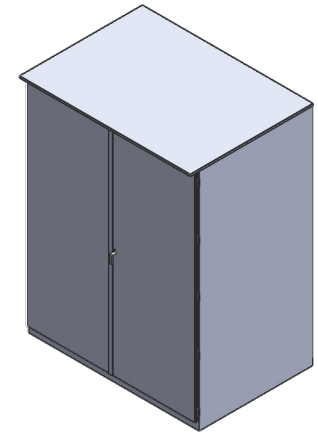
- 1. NEMA 3R CONSTRUCTION
- 2. FINISH: POWDER COAT GRAY ENAMEL

PADLOCKABLE FRENCH DOOR WITH 3PT CATCH



FRONT VIEW

SIDE VIEW

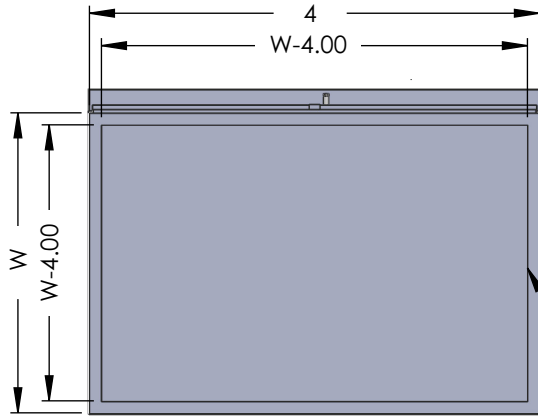


B

B

A

A



BOTTOM VIEW

OPEN BOTTOM WITH PADMOUNT WITH 2" FLANGE ALL AROUND

E160783  LISTED
Boxes, Junction & Pull
NAV-TECH INC.
 HAUPPAUGE, NEW YORK

NAME	DATE
DRAWN BY N. BOSETTI	3/21/2025
REVIEWED BY	



155 MARCUS BLVD HAUPPAUGE, NEW YORK 11788 PH: (718) 257-2111 FAX: (718) 257-2626

MAT'L:	12 GAUGE GALV STEEL
FINISH:	GRAY POWDER COAT ANSI 61
WEIGHT:	

ALL DIMENSIONS ARE NOMINAL UNLESS EXPLICITLY STATED OTHERWISE

DRAWING TITLE:
NEMA 3R ENCLOSURE FOR SWB-T1

PART #:
ODHCBX1008055-FDPM

DO NOT SCALE DRAWING

DESCRIPTION:
NEMA 3R OUTDOOR CABINET
100" X 80" X 55"
WITH FRENCH DOORS AND OPEN
BOTTOM PADMOUNT

SCALE: 1:50 SIZE A SHEET 1 OF 1 REV. 0

2

1